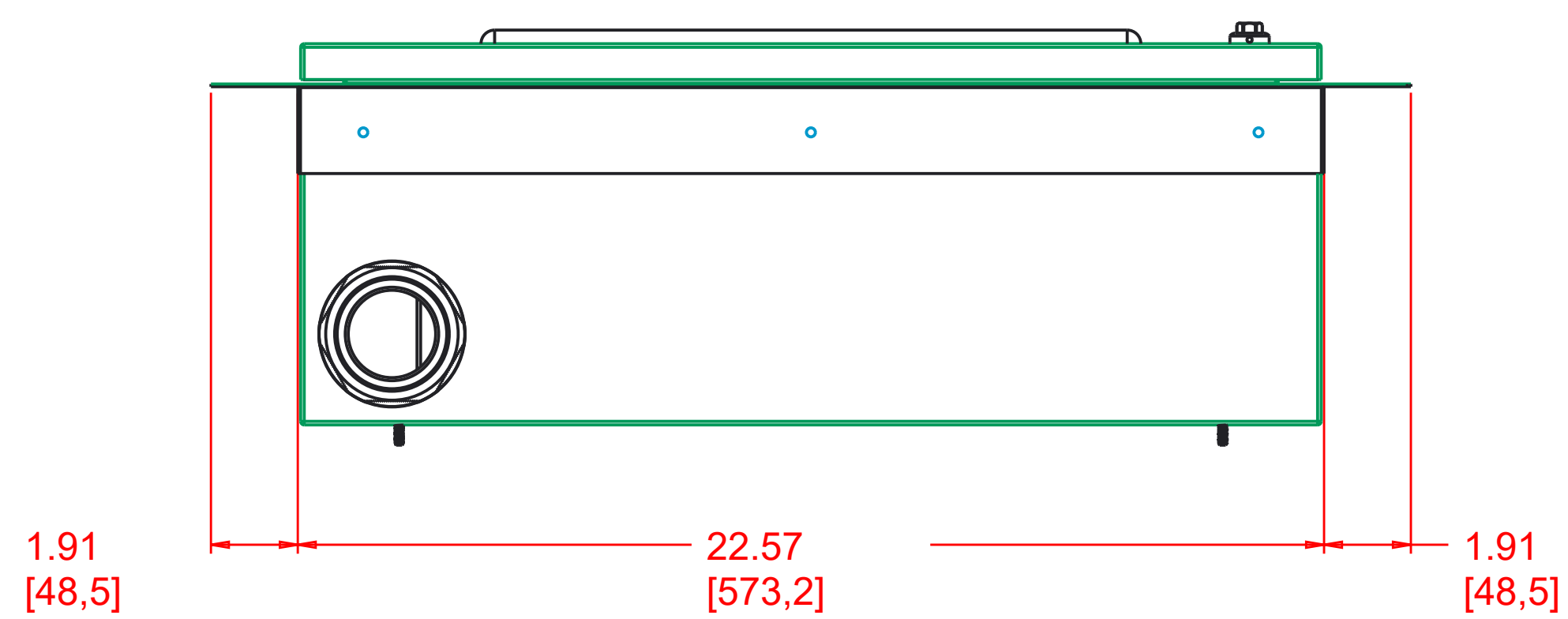
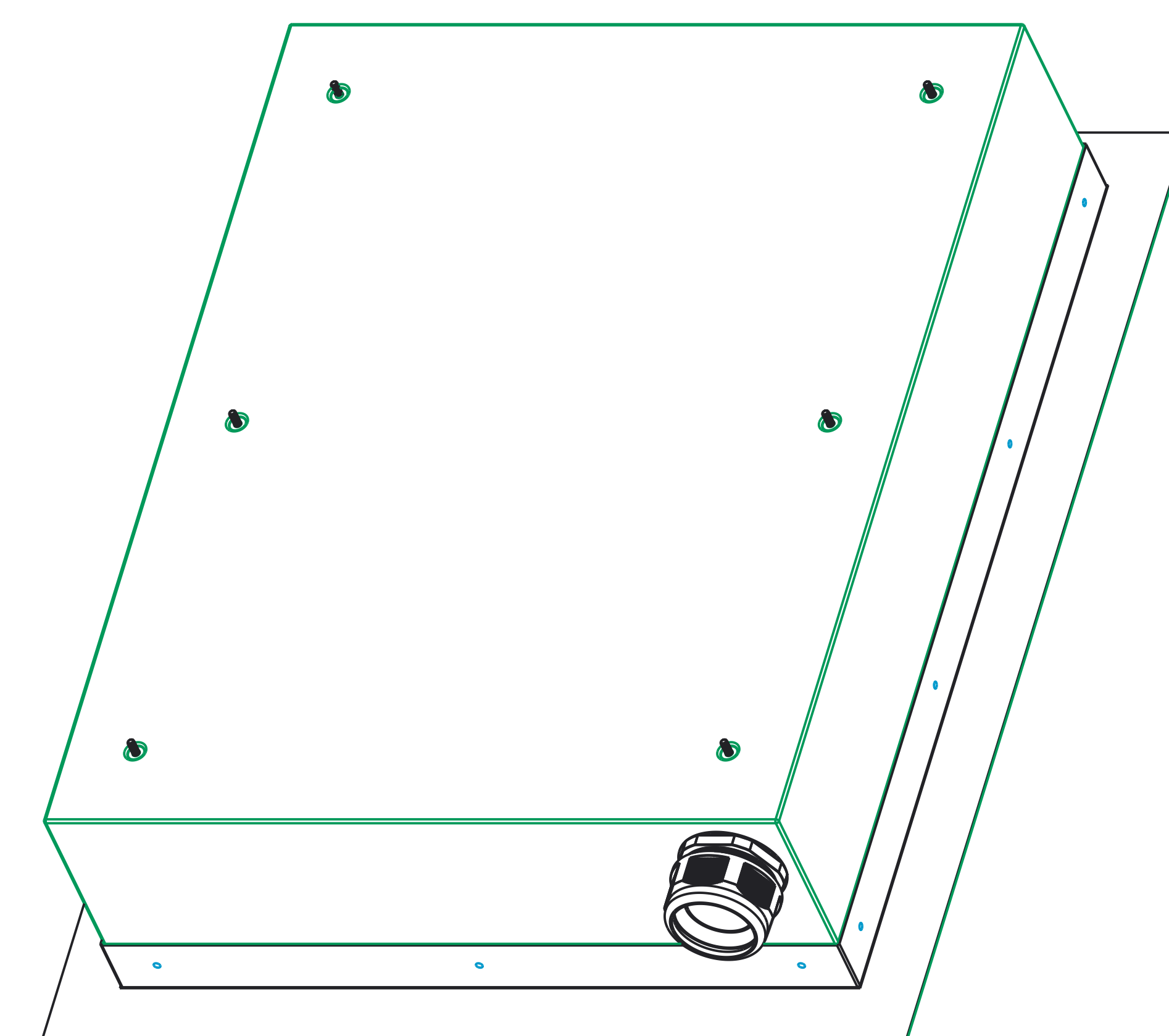
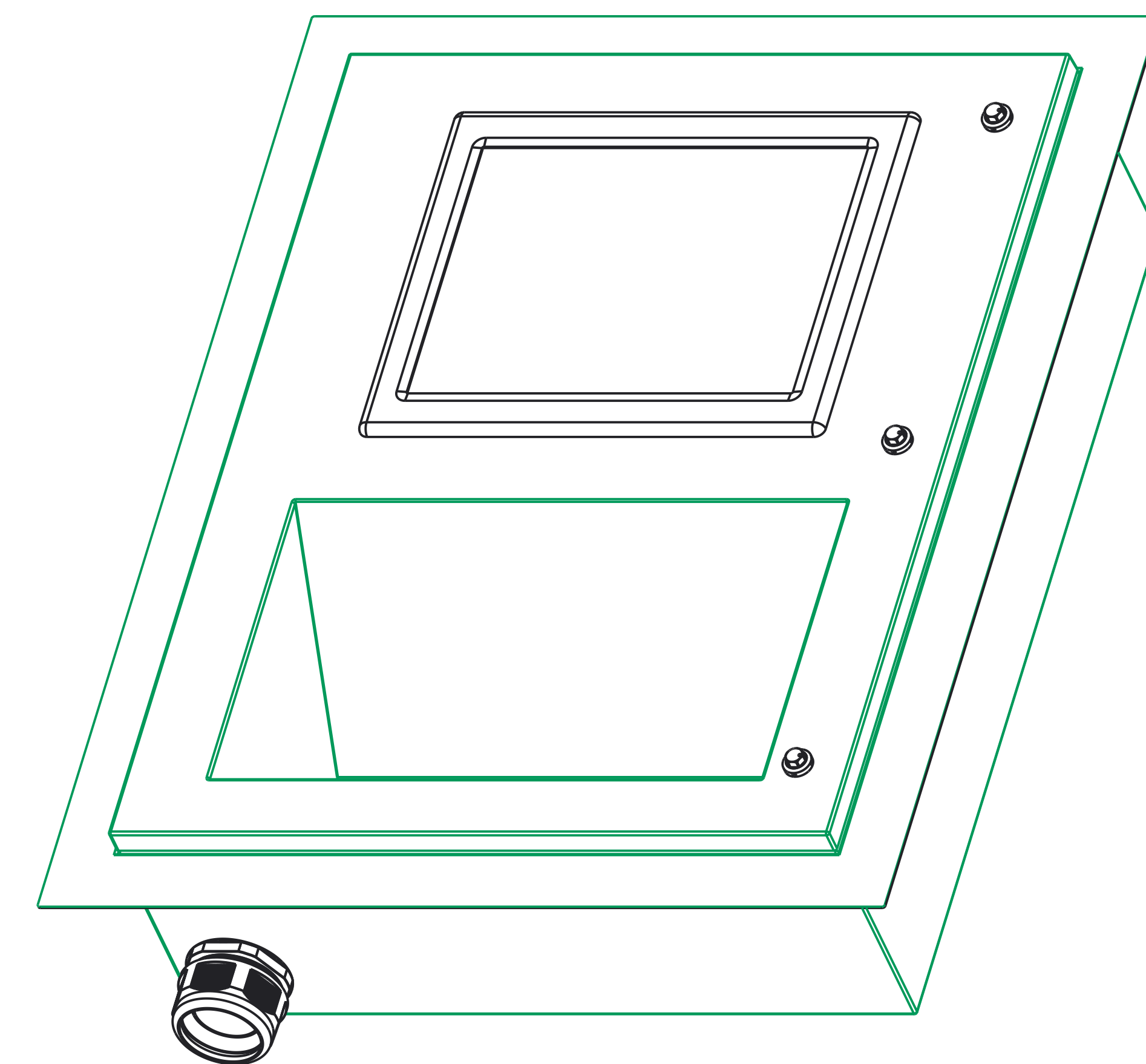
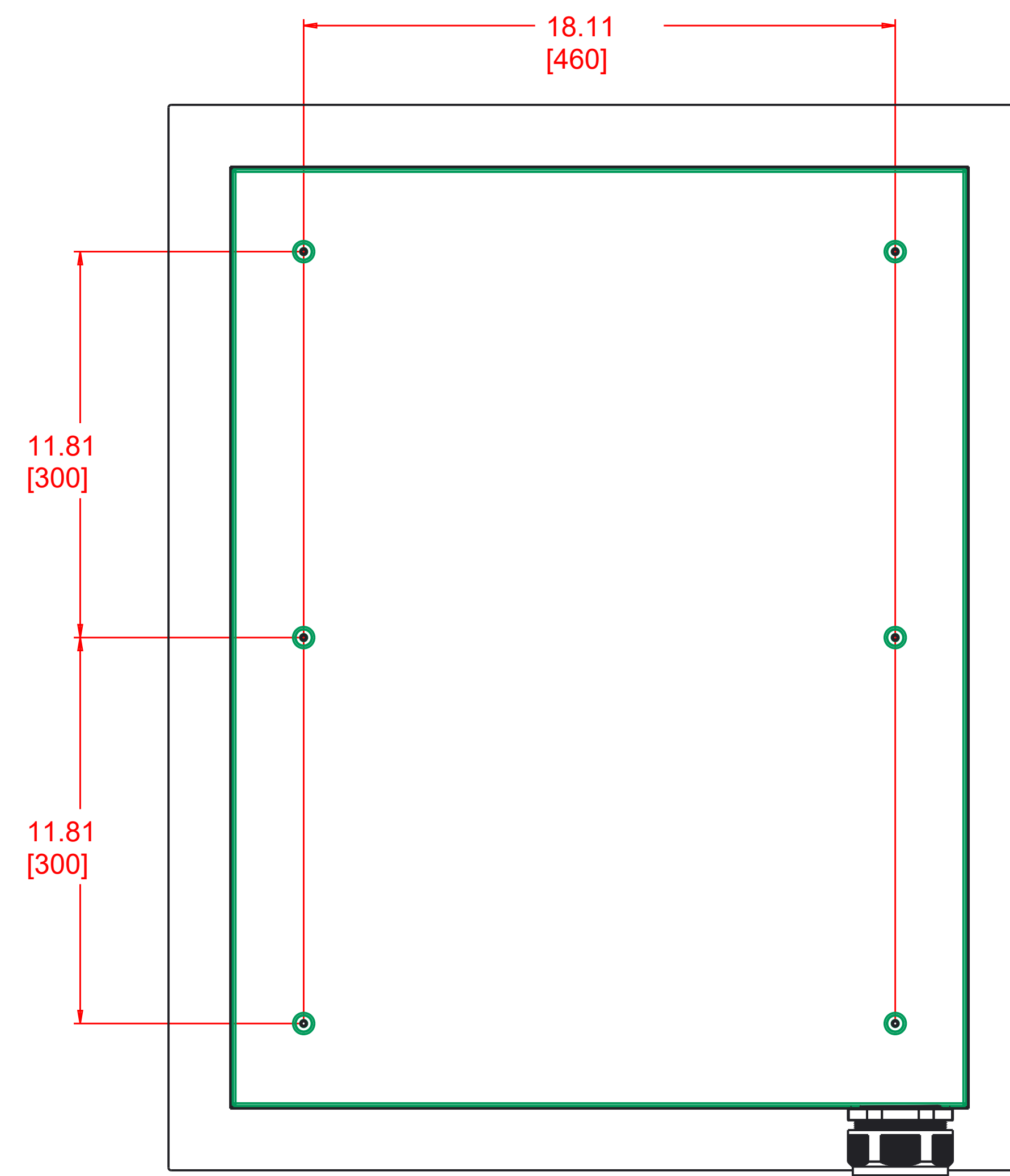
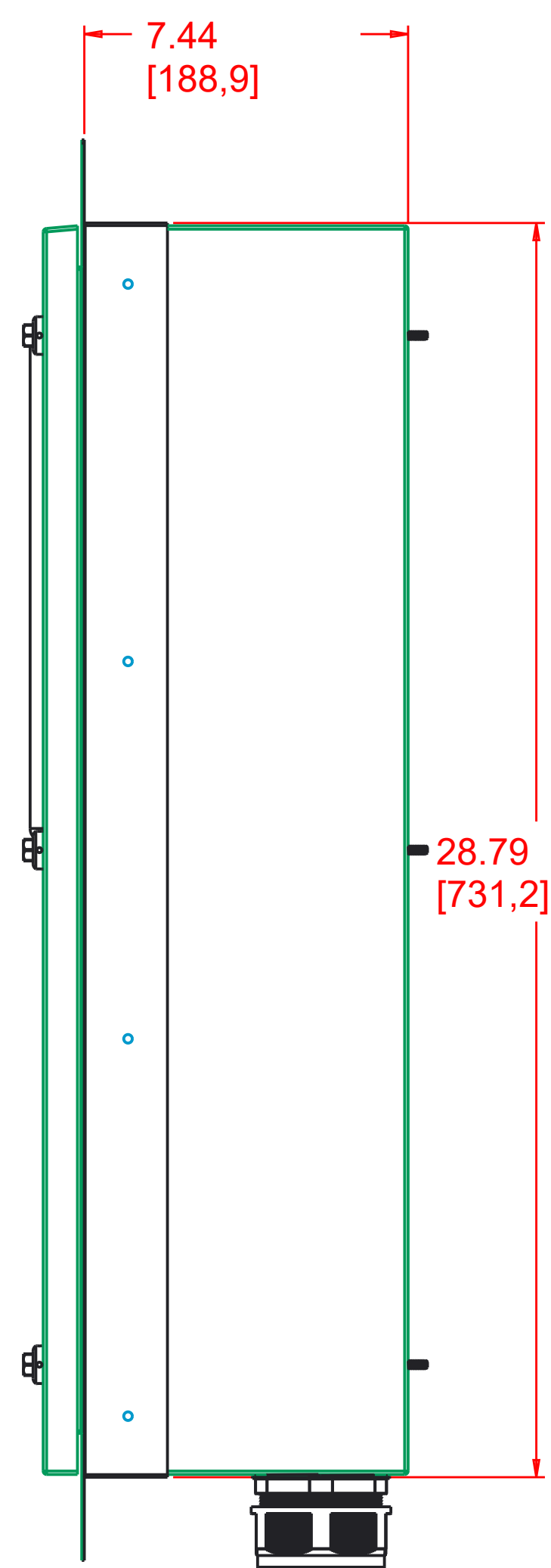
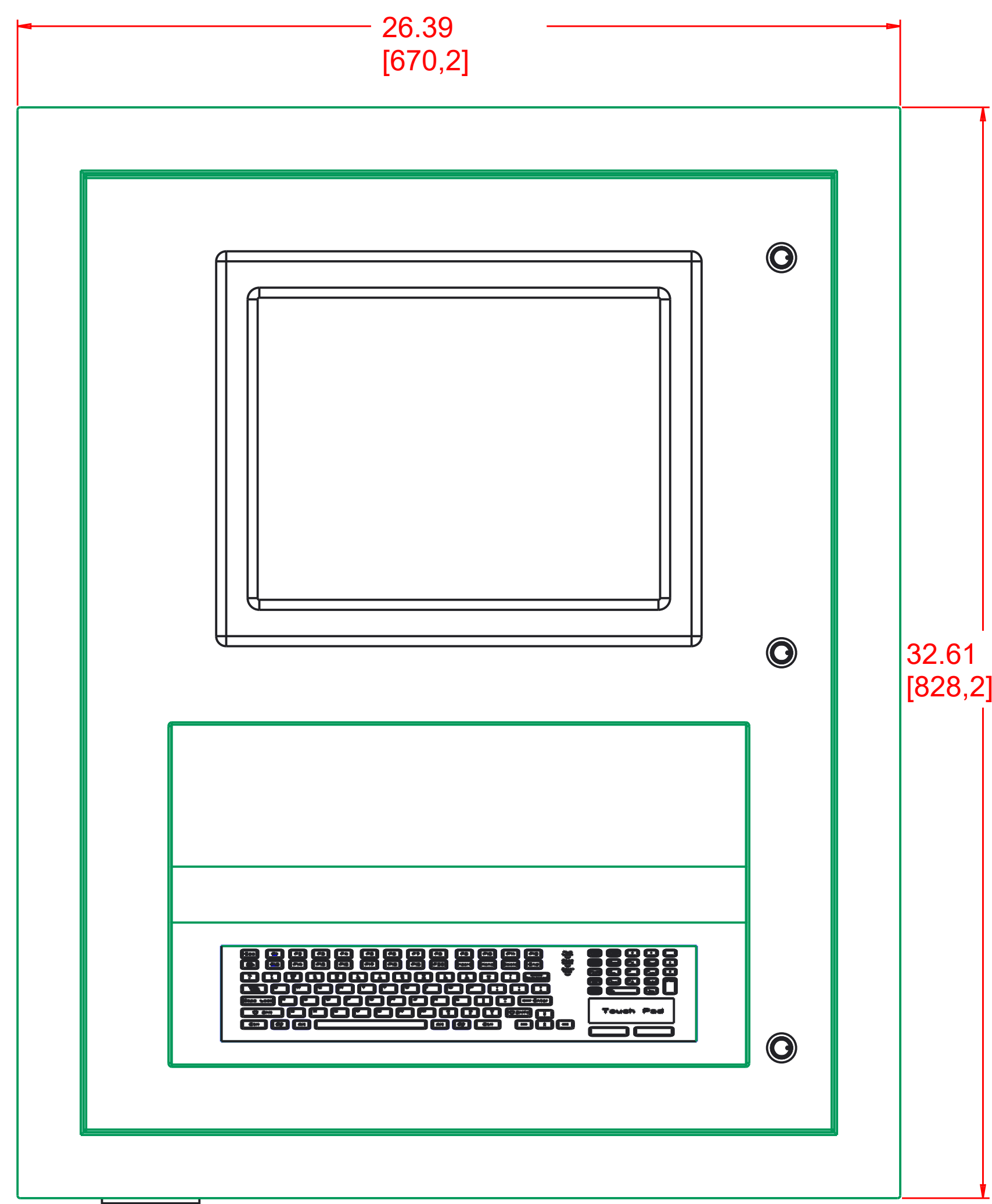
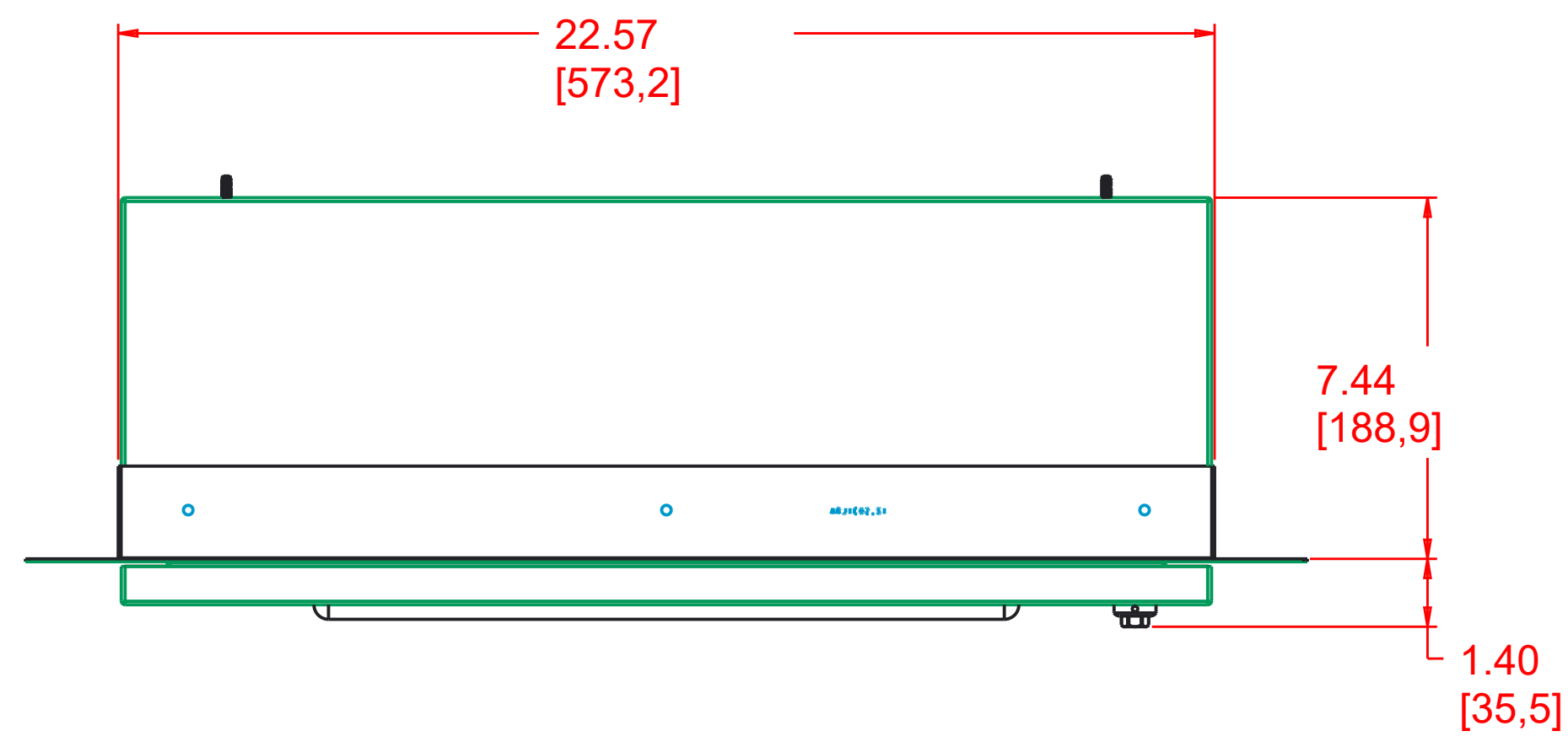


PARTS LIST		
ITEM	QTY	DESCRIPTION



UNITS:inch/mm

ZONE	REV	DESCRIPTION	DATE	APPROVED
REVISIONS				

<p>The information disclosed on this document is the exclusive property of ARISTA CORPORATION. Reproduction, disclosure, or the use of this document or information without the written permission of ARISTA CORPORATION is prohibited.</p>		<table border="1"> <thead> <tr> <th>TOLERANCES</th> <th>A</th> <th>B</th> <th>C</th> </tr> </thead> <tbody> <tr> <td>0-30mm</td> <td>±0.1</td> <td>±0.25</td> <td>±0.6</td> </tr> <tr> <td>31-120mm</td> <td>±0.15</td> <td>±0.45</td> <td>±1.1</td> </tr> <tr> <td>121-250mm</td> <td>±0.3</td> <td>±0.9</td> <td>±2.8</td> </tr> <tr> <td>251-500mm</td> <td>±0.5</td> <td>±1.5</td> <td>±5.0</td> </tr> </tbody> </table>	TOLERANCES	A	B	C	0-30mm	±0.1	±0.25	±0.6	31-120mm	±0.15	±0.45	±1.1	121-250mm	±0.3	±0.9	±2.8	251-500mm	±0.5	±1.5	±5.0	<p>ARISTA CORPORATION 41300 Bayview Rd, Fremont, CA 94538</p> <p>AMA-7015AX ASSEMBLY</p>
TOLERANCES	A	B	C																				
0-30mm	±0.1	±0.25	±0.6																				
31-120mm	±0.15	±0.45	±1.1																				
121-250mm	±0.3	±0.9	±2.8																				
251-500mm	±0.5	±1.5	±5.0																				
<p>DATE: 6/26/17</p> <p>CHECKED: E</p> <p>DESIGN: YoyoSu</p>	<p>SIZE: E</p> <p>SCALE: 0.300</p>	<p>FIG. NO.</p> <p>DWG. NO.</p> <p>REV.</p>	<p>REV. NO.</p> <p>SHEET OF</p>																				